

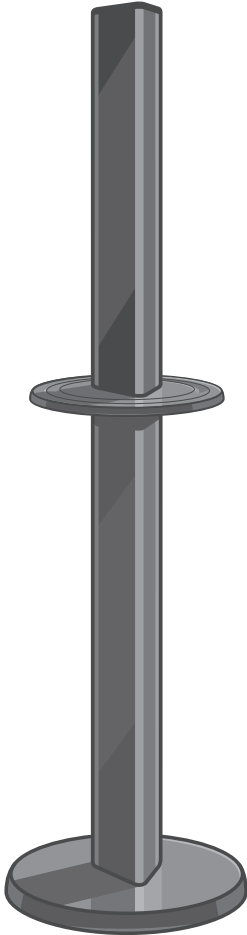
Tork Hygiene Stand

S1

S2

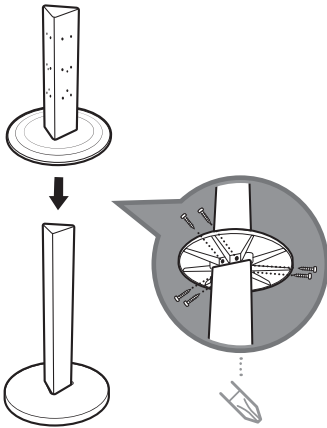
S4

F1



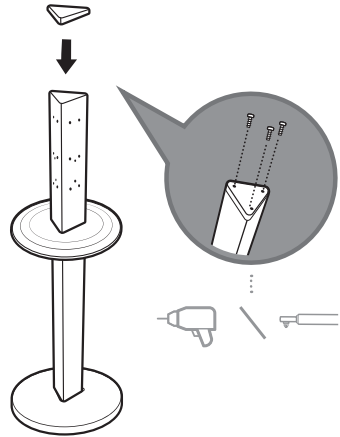
3

 x6



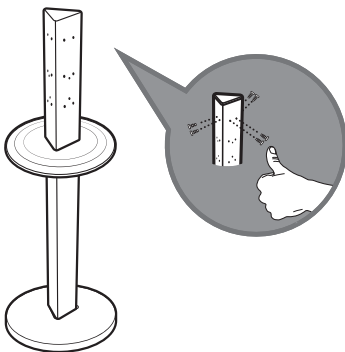
4

 x3




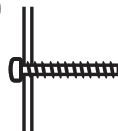
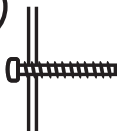
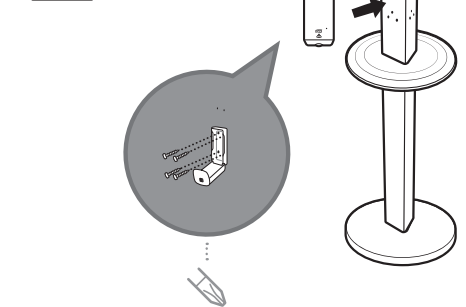
5

 x6



6

 x4



Warnings

- **CHILDREN SHOULD NOT BE ALLOWED TO PLAY WITH THE STAND**
- **This stand is not suitable to be placed in primary schools and kindergartens**
- **Do not place in way of evacuation routes or disability access**
- **Ensure that stand is placed in such a way it cannot fall and damage fragile objects**
- **This stand is not suitable for installation outdoors or in wet environments. It is not water-resistant**

Disposal

- **Damaged or malfunctioning product should be disposed of immediately to avoid potential of injury**
- **Products should be disposed of in accordance with applicable regulations**

Cleaning instructions

- Clean stand with mild detergent and soft cloth
- Conforms with norm EN 16121 and EN 1023



Manufactured by [Essity Hygiene and Health AB](#)
[SE-40503 Göteborg, Sweden](#)
[Visiting address: Mölndals Bro 2, Mölndal](#)
[www.essity.com](#), [www.torkglobal.com](#)
Made in Germany
Patents/Brevets/Patentes: [www.essity.com/patents](#)