

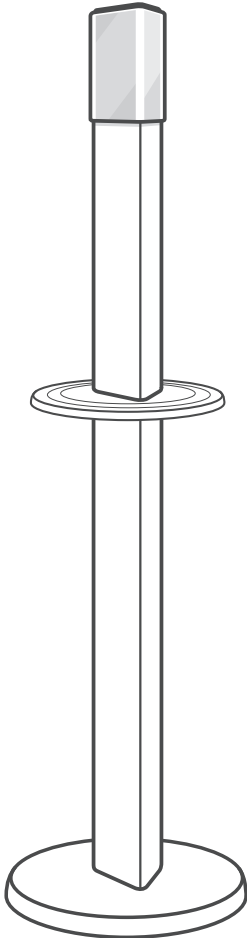
AD-A-Glance® for Tork Hygiene Stand

S1

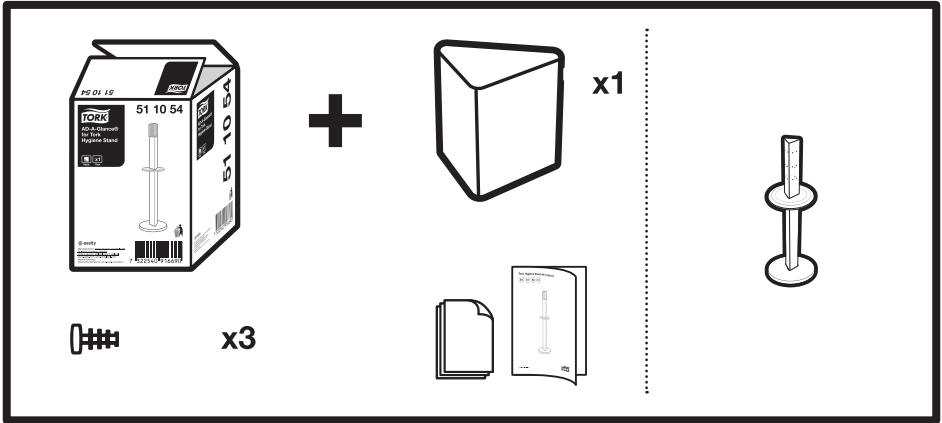
S2

S4

F1

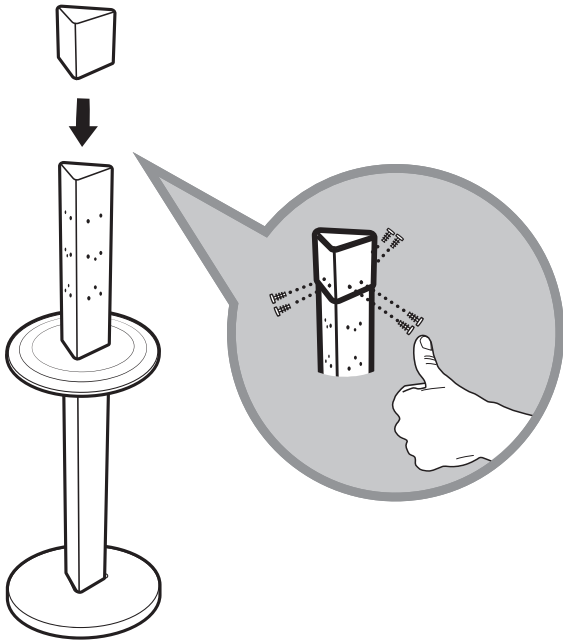


AD-A-Glance® for Tork Hygiene Stand

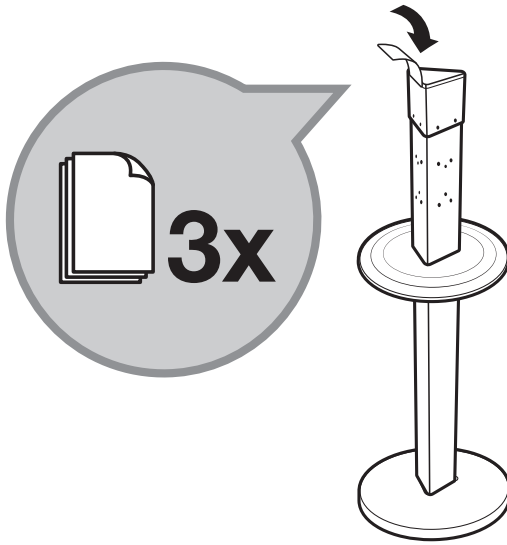


1

Hook icon x6

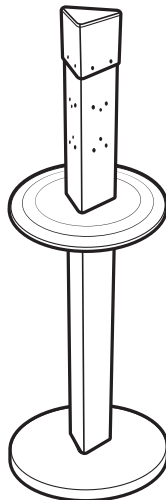


2



Pre-designed templates available
at www.torkglobal.com

3



Warnings

- **CHILDREN SHOULD NOT BE ALLOWED TO PLAY WITH THE STAND**
- **This stand is not suitable to be placed in primary schools and kindergartens**
- **Do not place in way of evacuation routes or disability access**
- **Ensure that stand is placed in such a way it cannot fall and damage fragile objects**
- **This stand is not suitable for installation outdoors or in wet environments. It is not water-resistant**

Disposal

- **Damaged or malfunctioning product should be disposed of immediately to avoid potential of injury**
- **Products should be disposed of in accordance with applicable regulations**

Cleaning instructions

- Clean stand with mild detergent and soft cloth
- Conforms with norm EN 16121 and EN 1023



Manufactured by Essity Hygiene and Health AB
SE-40503 Göteborg, Sweden
Visiting address: Mölndals Bro 2, Mölndal
www.essity.com, www.torkglobal.com
Made in Germany
Patents/Brevets/Patentes: www.essity.com/patents